

Agency Approval

Factory Mutual Approved Intrinsically Safe for Hazardous Locations USA & Canada
 IS Class I, Division 1, Groups A, B, C, D
 T3C Ta = -40°C to 82°C; T4 Ta = -40°C to 66°C
 CL I Zone 0 AEx/Ex ia IIC
 T3 Ta = -40°C to 82°C; T4 Ta = -40°C to 66°C

Ranges and Resolution

See table below. Select range and default engineering units. Consult factory for special engineering units. Units may be changed to any listed under the same sensor range. Resolution is fixed and limited to available display digits.

Display

3 readings per second nominal display update rate
 4 digit LCD, 0.5" H and 5 character 0.25" H alphanumeric
BL: Red LED backlight. Front button activates backlighting for 1 minute if ambient light is insufficient

Accuracy

Includes linearity, hysteresis, repeatability
 Standard: ±0.25% of full scale ±1 least significant digit
 Optional **HA:** ±0.1% FS ±1 LSD (see table below for availability)

Batteries

Two 1.5 V AAA Panasonic LR03 alkaline cells
B: Approx. 1000 hours
BL: Approx. 150 to 1000 hours depending on backlight usage
 Low battery symbol on display when batteries need replacement

Auto Shutoff

Default 5 minutes, user selectable 1 minute to 8 hrs or on/off

Memory Options

Std: Min/max enabled
MO: Min/max turned off in user setup
 Min/max can be user configured to be individually enabled or disabled, saved or cleared at power off

Controls & Functions

Front button turns gauge on or off, zeros gauge reference gauges, and cycles through min/max functions (if enabled)
 Internal buttons for engineering unit selection, auto shutoff time, min/max setup, calibration
 Internal lockout switch to disable setup and calibration.
BL: Keypress activates backlighting for 1 min. if low light detected

Calibration

Non-interactive zero, span, and linearity, ±10% of range Internal setup/calibration buttons, internal lockout switch.

Weight

9 ounces (approx.), shipping wt. 1 pound (approx.)

Housing Materials and Circuit Board Protection

Epoxy powder coated aluminum case, rear cover, and bezel. Front and rear rubber gaskets, polycarbonate label. Stainless steel stiffener plate to reinforce sensor area. Conformal coating on circuit boards for moisture resistance.

Connection and Material

1/4" NPT male fitting, 316L stainless steel
 All wetted parts are 316L stainless steel

Overpressure, Burst, Vacuum

2 X pressure range for 3 psi to 2000 psi sensors
 5000 psig for ranges using 3000 psig sensor
 7500 psig for ranges using 5000 psig sensor
 Over-range display 112.5% FS: **1---** or **1----**
 Under-range display (non-vacuum sensors): **-Err**
 Vacuum service: 15 psig, 15 psia, 30 psia, 100 psig, 100 psia, 200 psig
 Burst: 4 X sensor pressure rating or 10,000 psi, whichever is less

Environmental

Storage temperature: -40 to 203°F (-40 to 95°C)
 Operating temperature: -4 to 185°F (-20 to 85°C)
 Compensated temperature: 32 to 158°F (0 to 70°C)

- ±0.25% Test Gauge Accuracy
- 316 L Stainless Steel Sensor
- All Metal Housing



Quick Link
cecomp.com/is

Sensor Ranges and Engineering Units				± -HA option not available			
3 psig ±	Res	15 psig vac ±	Res	30 psia ±	Res	300 psig	Res
3PSIG	.001	100KPAVAC	.1	2KGCMa	.001	300PSIG	.1
6INHG	.001	0.1MPAVAC	.0001	2ATMA	.001	610INHG	.1
85INH20G	.1	1BARVAC	.001	30 psig	Res	480ZING	1
50ZING	.01	1KGCmVAC	.01	30PSIG	.01	400V2770INH20G	1
210GCMG	.1	1ATMVAC	.001	60INHGG	.01	240V1600ZING	1
150MMHGG	.1	15 psig	Res	850INH20G	1	760V5200MMHGG	1
150TORRG	.1	15PSIG	.01	480ZING	.1	760V5200TORRG	1
200MBARG	.1	30INHGG	.01	2100GCMG	1	100V700KPA	1
200CMH20G	.1	400INH20G	.1	1600MMHGG	1	-0.1V0.7MPAG	.001
2000MMH20G	1	240ZING	.1	1600TORRG	1	1V7BARG	.01
7FTH20	.001	1000GCMG	1	2000MBARG	1	1V7KGCMG	.01
20KPAG	.01	760MMHGG	.1	2100CMH20G	1	1V7ATMG	.01
5 psig	Res	760TORRG	.1	70FTH20	.01	100 psig	Res
5PSIG	.001	1000MBARG	1	200KPAG	.1	100PSIG	.1
10INHGG	.01	1000CMH20G	1	0.2MPAG	.0001	200INHGG	.1
140INH20G	.1	35FTH20	.01	2BARG	.001	2770INH20G	1
80ZING	.1	100KPAG	.1	2KGCMG	.001	1600ZING	1
350GCMG	.1	0.1MPAG	.0001	2ATMG	.001	7000GCMG	1
260MMHGG	.1	1BARG	1	60 psig	Res	5200MMHGG	1
260TORRG	.1	1KGCMG	1	60PSIG	.01	5200TORRG	1
350MBARG	.1	1ATMG	1	120INHGG	.1	7000MBARG	1
350CMH20G	.1	±15 psig ±	Res	1660INH20G	1	7000CMH20G	1
3500MMH20G	1	±15PSIG	.01	960ZING	1	230FTH20	.1
12FTH20	.01	-30INHG/15PSIG	.01	4200GCMG	1	7MPAG	.0001
35KPAG	.01	±30INHGG	.01	3100MMHGG	1	0.7MPAG	.0001
15 psia ±	Res	±400INH20G	1	3100TORRG	1	7BARG	.001
15PSIA	.01	±240ZING	.1	4100MBARG	1	7KGCMG	.001
30INHGA	.01	±1000GCMG	1	4200CMH20G	1	7ATMG	.001
400INH20A	.1	±760MMHGG	1	140FTH20	.1	-15V200 psig ±	Res
240ZINA	.1	±760TORRG	1	400KPAG	.1	-15V200PSIG	.1
1000GCMA	1	±1000MBAR	1	0.4MPAG	.0001	-30INHG/200PSIG	.1
760MMHGA	.1	±1000CMH20G	1	4BARG	.001	-30V400INHGG	.01
760TORRA	.1	±100KPAG	.1	4KGCMG	.001	-400V5500INH20G	1
1000MBARA	1	±0.1MPAG	.0001	4ATMG	.001	-240V3200ZING	1
1000CMH20A	1	±1BARG	.001	100 psia ±	Res	-100V1400KPAG	1
100KPAA	.1	±1KGCMG	.001	100PSIA	.1	-0.1V1.4MPAG	.001
0.1MPAA	.0001	±1ATMG	.001	200INHGA	.1	-1V14BARG	.01
1BARA	.001	30 psia ±	Res	2770INH20A	1	-1V14KGCMG	.01
1KGCMa	.001	30PSIA	.01	1600ZINA	1	-1V 14ATMG	.01
1ATMA	.001	60INHGA	.01	7000GCMA	1	200 psig	Res
15 psig vac ±	Res	850INH20A	1	200PSIG	.1	200BARG	.1
15PSIVAC	.01	480ZINA	.1	5200TORRA	1	200KGCmG	.1
30INHGVAC	.01	2100GCMA	1	7000MBARA	1	5500INH20G	1
400INH20VAC	.1	1600MMHGA	1	7000CMH20A	1	3200ZING	1
240ZINVAC	.1	1600TORRA	1	700KPAA	.1	480FTH20	.1
1000GCMVAC	1	2000MBARA	1	0.7MPAA	.0001	1400KPAG	.01
760MMHGVAC	.1	2100CMH20A	1	7BARA	.001	1.4MPAG	.01
760TORRVAC	.1	200KPAA	.1	7KGCMa	.001	14BARG	.01
1000MBARVAC	1	0.2MPAA	.0001	7ATMA	.001	14KGCMG	.01
1000CMH20VAC	1	2BARA	.001	14ATMG	.01	340ATMG	.1

How to Specify	Type
DPG2000B range - D4 - options	Min/max memory
DPG2000BBL range - D4 - options	Min/max memory, backlit display
DPG2000B range - D4 - MO options	No min/max
DPG2000BBL range - D4 - MO options	No min/max, backlit display

Range—see table at left
 psi = PSI torr = TORR mbar = MBAR
 inHg = INHG mmH₂O = MMH2O bar = BAR
 oz/in² = ZIN kg/cm² = KGCM cmH₂O = CMH2O
 inH₂O = INH2O g/cm² = GCM atm = ATM
 ftH₂O = FTH2O kPa = KPA
 mmHg = MMHG MPa = MPA
 G = gauge reference pressure
 VAC = gauge reference vacuum
 A = absolute reference
 If vacuum gauge requires a minus sign, please specify.
 The range code indicates the gauge's default range. Engineering units may be changed to any of those listed under the same sensor range. The listed ranges are rounded off.

Options	add to end of model number
HA	High accuracy, ±0.1% FS ±1 LSD. Not available with 3 psi, bipolar, absolute, or vacuum sensors, and some 3.5 digit display ranges. See table at left for availability.
TP	Top gauge port. Not available with NEMA models.
Accessories —order separately	
RB	Protective rubber boot. Not avail. with NEMA models.
CD	Calibration data; 5 test points and date
NC	NIST traceability documentation, 5 points and date



Example: DPG2000BBL3000PSIG-D4
 Battery powered, backlit display, 0-3000 psig, min/max
 Note: Model number on gauge may vary from part number ordered.

Precautions

Approved Locations

The DPG2000B series is approved for use in the following Hazardous Locations.

- IS Class I Div 1 Gp ABCD
- T3C Ta = -40°C to 82°C; T4 Ta = -40°C to 66°C.
- CL I Zone 0 AEx/Ex ia IIC
- T3 Ta = -40°C to 82°C; T4 Ta = -40°C to 66°C

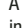
Installation

- ✓ Read these instructions before installing the gauge. Configuration may be easier before the gauge is installed. Contact the factory for assistance.
- ✓ Installation instructions must be strictly followed in compliance with Intrinsic Safety National Standard NEC 504 or ANSI/ISA RP 12.6 and the National Electrical Code.
- ✓ Outdoor or wash down applications require a NEMA 4X gauge or installation in a NEMA 4X housing.
- ✓ The pressure gauge enclosure's metal base must be mounted as part of a bonded structure.
- ✓ Use fittings appropriate for the pressure range of the gauge.
- ✓ Due to the hardness of stainless steel, it is recommended that a thread sealant be used to ensure leak-free operation.
- ✓ For contaminated media use an appropriate screen or filter to keep debris out of gauge port.
- ✓ Avoid permanent sensor damage! NEVER insert objects into gauge port or blow out with compressed air.
- ✓ Remove system pressures before removing or installing gauge.
- ✓ Install or remove gauge using a wrench on the hex fitting only. Do not attempt to turn by forcing the housing.

Operation

- ✓ Use within the pressure range indicated on gauge label.
 - ✓ Avoid permanent sensor damage! Do not apply vacuum to gauges not designated for vacuum operation.
 - ✓ Use only with media compatible with 316L stainless steel.
 - ⚠ Gauges are not for oxygen service. Accidental rupture of sensor diaphragm may cause silicone oil inside sensor to react with oxygen.
 - ✓ The DPG2000B series gauges must only be operated in specified ambient temperature ranges.
- ### Maintenance
- ✓ The non-metallic cover of the pressure gauge is considered to constitute an electrostatic discharge hazard. Clean only with a damp cloth.
 - ✓ Batteries must be replaced when the low battery indication comes on to prevent unreliable readings.
 - ✓ WARNING: Replace batteries with approved type in non-hazardous locations only.
 - ✓ Approved batteries are two Panasonic LR03 1.5 V AAA alkaline cells.
 - ☒ WARNING: Substitution of batteries may impair intrinsic safety. Improper voltages will damage the gauge.
 - ✓ WARNING: Substitution of components may impair intrinsic safety. Do not modify the gauge.
 - ✓ These products do not contain user-serviceable parts except for batteries. Contact factory for repairs, service, or refurbishment.

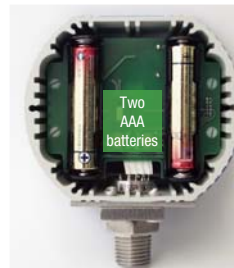
Battery Replacement

A low battery indication (either LOBAT or a  symbol depending on the model) will be shown in the upper left-hand corner of the display when the battery voltage falls sufficiently. The batteries should be replaced when the indicator comes on or unreliable readings may result.

WARNING: Replace batteries with approved type in non-hazardous locations only. Replace batteries with two Panasonic LR03 1.5 V AAA alkaline cells.

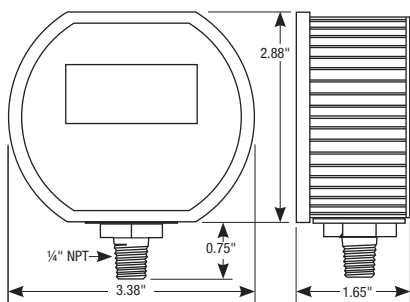
Replace both batteries with new ones at the same time. Do not mix different types of batteries. Substitution of components may impair intrinsic safety.

1. Remove the 6 Phillips screws on the back of the unit.
2. Remove batteries by lifting up the positive end of the battery (opposite the spring) taking care not to bend the spring.
3. Discard old batteries properly, do not discard into fire, sources of extreme heat, or in any hazardous manner.
4. Install batteries with correct orientation. The negative (flat) end of each battery should be inserted first facing the battery holder spring.
5. Replace the back cover, including the rubber gasket.



DS-DPG2000B rev. 06-11

Dimensions



Types of Gauges

Gauge reference reads zero with the gauge port open.

Bipolar ranges read positive pressure and vacuum in the same units, and zero with the gauge port open.

Compound ranges read positive pressure in psig and vacuum in inHg, and zero with the gauge port open.

Sealed reference reads zero with the gauge port open and is referenced to 14.7 psi. Used for 1000 psi and up.

Absolute reference reads atmospheric pressure with gauge port open and zero at full vacuum.

Operation

Power-Up

Press and hold the front button for approximately 1 second.

The display is tested, the full-scale range is indicated, the display segments are briefly shown again, then the actual pressure and units are displayed.



Operation—continued

Power Up with Zero

This applies to gauge reference models only. Absolute reference gauges do not use the zero feature since they read atmospheric pressure under normal conditions.

Be sure the gauge port is exposed to normal atmospheric pressure and no pressure is applied. The zeroing function is only activated at each power-up and the stored zero correction is erased when the gauge is shut off.

Press and hold the front button.

The display is tested.

Continue to press the button until 0000 is displayed.

Release the button. The gauge is now zeroed.

The full-scale range is indicated and the display segments are briefly shown again.

The actual pressure and units are displayed.

Attempting to zero the gauge with pressure greater than approximately 3% of full-scale pressure or vacuum applied will result in an error condition, and the display will alternately indicate Err 0 and the actual measured pressure. The gauge must be powered down to reset the error condition.

Normal Operation

Following the start-up initialization, the display indicates the pressure reading updated approximately 3 times per second. The auto shutoff timer starts when the gauge is powered up or whenever the button is pushed, unless the gauge shutoff time was set to zero for on/off operation.

If excessive vacuum is applied to a pressure-only gauge, the display will indicate -Err until the vacuum is released.

Applying vacuum to a gauge designed for pressure may damage the pressure sensor. If excessive pressure is applied (112.5% over range), an out-of-range indication of | - - - or | - - - will be displayed depending on model.

Display Backlighting (BL Option Only)

Display backlighting will operate when a button is pressed or held provided the front light sensor detects low ambient light levels. Display backlighting will turn on for one minute and then shut off. Backlighting may not be apparent under some lighting conditions.

Operation—continued

Minimum and Maximum Readings

Gauges are normally configured with minimum and maximum capture enabled. M0 versions are configured with minimum and maximum functions disabled. One or both can be enabled or disabled in the User Configuration mode.

Minimum and maximum readings are continuously stored and updated whenever the gauge is on. The stored readings can be manually cleared if desired. The MAX and MIN memory can be configured to save or clear the reading whenever the gauge is off.

Press and hold the button for about 1 second until MAX is displayed alternating with the units. The maximum reading will be continuously updated. The gauge may be left in this mode.

After MAX is displayed, press and hold the button for about 1 second until MIN is displayed alternating with the units. The minimum reading will be continuously updated. The gauge may be left in this mode. If excessive vacuum is applied to a pressure-only gauge while in this mode, the display will indicate -Err until the MAX/MIN readings are cleared.

After MIN is displayed, press and hold the button again for about 1 second until * * * * is displayed. The MAX and MIN memory is not erased and the gauge returns to normal operation with the display indicating the current reading.

Press and continue to hold the button until the display indicates clr MX/MN (about 3 seconds total) and then release the button. Both maximum and minimum values are cleared and the gauge returns to the normal mode and displays the current pressure.

Shut-Down

To shut off the gauge manually at any time, press and hold the button until the display indicates OFF (about 5 seconds) and then release.

When an auto shutoff timer is used, the display indicates OFF five seconds prior to auto shutoff. The button can be pressed to keep the gauge on. The auto shutoff and backlight (if equipped) timers are reset whenever the button is pressed and released.

If the gauge set up without auto shutoff (on/off operation) it will stay on until manually shut off or until the batteries are depleted. Turn gauge off when not in use to conserve battery life.

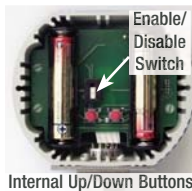
Basic Setup

Configuration must only be done in a non-hazardous area.

Remove the 6 Phillips screws on the back of the unit.

Remove the rear cover.

Move the switch on the circuit board to the ENABLE position.



Engineering Unit Selection

Engineering unit selection is done via internal buttons to help prevent accidental or unauthorized changes. The selected engineering unit is stored in non-volatile memory and will be retained even with the gauge off or batteries removed. The available engineering units depend on the sensor range and display resolution.

Compound (inHg/PSIG) gauges must be changed to display single-unit vacuum/pressure readings in the Advanced Configuration mode before different engineering units can be selected.

The default engineering units are mathematically converted to the newly selected engineering unit. When the gauge is powered up, the originally configured range is displayed and then the conversion with the selected engineering unit is displayed.

With the gauge powered up, press and hold the UP button. Release the button when the engineering units begin to flash.

Use the UP and DOWN buttons to scroll through the list of engineering units available for the pressure range of the sensor.

When the desired units are displayed, press and release the front button to save the selection and return to normal operation.

Note: The gauge will automatically revert to normal operation if no buttons are operated for approximately 15 seconds.

If done, replace the rear cover, or proceed to the next step.

Auto Shutoff Time Selection

Auto shutoff time selection is done via internal buttons to help prevent accidental or unauthorized changes. The selected shut off time is stored in non-volatile memory and will be retained even with the battery off or batteries removed.

With the gauge powered up, press and hold the DOWN button. Release the button when the auto shutoff time is displayed on the upper section.

The lower display segments will indicate AST M if the time displayed is in minutes, and AST H if it in hours.

An auto shutoff time of 0 signifies that the auto shutoff feature is disabled and the front button turns the gauge on and off.

Use the UP and DOWN buttons to select 0, 1, 2, 5, 10, 15, 20 or 30 minutes, or 1, 2, 4, or 8 hours.

When the desired time is displayed, press and release the front button to save the selection and return to normal operation.

Note: The gauge will automatically revert to normal operation if no buttons are operated for approximately 15 seconds.

Move the switch on the circuit board to the DISABLE position and replace the rear cover including the rubber gasket.

Entering User Configuration

Configuration must only be done in a non-hazardous area.

Remove the 6 Phillips screws on the back of the unit and remove the rear cover.

Move the switch on the circuit board to the ENABLE position.

Locate the UP and DOWN buttons on the circuit board.

User Configuration Access

With the gauge off, press and hold the UP button. Then press the center power button. Release all buttons when the display indicates *CFG* and the program version. Then the full-scale range is indicated and the display is tested.

The display then indicates *_ _ _ _* with the first underscore blinking, with *CFGPC* (configuration pass code) on the lower display.

Note: The gauge will automatically revert to normal operation if no buttons are pressed for approximately 15 seconds. To cancel and return to normal operation, press and release the front button without entering any pass code characters.

User Configuration Pass Code Entry

The factory default is 3510, but this may be changed by the user under the Pass Code Configuration section. If an incorrect pass code is entered, the gauge will return to the start of the pass code entry sequence.

1. Use the UP or DOWN buttons to set the first digit to 3.
2. Press and release the front button to move to the next position. The 3 will remain, and the second position will be blinking.
3. Use the UP or DOWN buttons to select 5.
4. Press and release the front button to index to the next position. 35 will remain, and the third position will be blinking.
5. Use the UP or DOWN buttons to select 1.
6. Press and release the front button to index to the next position. 351 will remain, and the fourth position will be blinking.
7. Use the UP or DOWN buttons to select 0.
8. Press and release the front center button to proceed.

User Configuration

Factory/User Configuration

This gives the choice of resetting the gauge features to the factory settings or continuing with user configuration.

The upper display section will be blank, and the lower section will display either *USER_* or *FCTRY_*.

If *FCTRY* is selected, the existing user configuration will be replaced by the original factory configuration.

To select *FCTRY*, press and release the UP button.

With *FCTRY* displayed press and release the front button to restore the factory configuration and restart the gauge.

If *USER_* is selected, the user configuration can be modified as described in the following steps.

To select *USER_*, press and release the DOWN button.

The lower display will indicate.

With *USER_* displayed press and release the front center button to continue.

The configuration parameters vary depending on the model. Go to the appropriate section for your gauge.

Max/Min Configuration

Use the UP and DOWN buttons to select from the following:

MX / MN Both highest and lowest values will be captured

MX / -- Only highest value will be captured

-- / MN Only lowest value will be captured

-- / -- Capture feature is disabled

Press and release the front button to move to the next parameter.

Max/Min Memory

The upper display section will indicate *c / r .*

Use the UP and DOWN buttons to select from the following:

AUTO Automatically clear max. and min. values when the gauge is powered off

MAN Manually clear max. and min. values

Press and release the front button to move to the next parameter.

Gauge Type Configuration

This will only appear with 15, 100, or 200 psig ranges that were originally ordered as compound gauges.

Use the UP and DOWN buttons to select from the following:

-/+EU Vacuum is indicated as negative pressure in the selected engineering units

COMPND Vacuum is negative INHG, pressure is PSIG. This setting will disable engineering unit selection.

Press and release the front button to save the user configuration and restart the gauge.

This completes the configuration for this model. Move the switch on the circuit board to the DISABLE position and replace the rear cover including the rubber gasket.

Calibration Preparation

Calibration must only be done in a non-hazardous area. See Installation and Precautions above.

Gauges are calibrated at the factory using equipment traceable to NIST. There is no need to calibrate the gauge prior to use.

Calibration should only be performed by qualified individuals using appropriate calibration standards and procedures.

Contact factory if assistance is required. Gauges can be returned to factory for certified calibration and repairs. NIST traceability is available.

Calibration intervals depend on your quality control program requirements. Many customers use an annual calibration cycle.

The calibration equipment should be at least four times more accurate than the gauge being calibrated.

The calibration system must be able to generate and measure pressure and/or vacuum over the full range of the gauge.

A vacuum pump able to produce a vacuum of 100 microns (0.1 torr or 100 millitorr) or lower is required for vacuum and absolute gauges.

Warning: Never apply vacuum to gauge not designated for vacuum service. Permanent sensor damage may result.

It is good practice to install fresh batteries before calibration.

Allow the gauge to equalize to normal room temperature (about 20 minutes minimum) before calibration.

Calibration



Internal Up/Down Buttons

See Calibration Preparation section. See rear label of gauge for model identification and range.

Remove the 6 Phillips screws on the back of the unit and remove the rear cover.

Move the switch on the circuit board to the ENABLE position.

Locate the internal UP and DOWN buttons on the circuit board.

Entering Calibration Mode

With the gauge off, press and hold the DOWN button, then press the center power button.

Release all buttons when the display indicates *CAL*.

The display begins by indicating the full-scale positive pressure rating of the gauge in the engineering units as configured by the factory, and then shows all display segments.

Before the gauge enters the calibration mode, the display initially indicates `_ _ _ _` with the first underscore blinking, with *CALPC* (calibration pass code) on the lower display.

Note: The gauge will automatically revert to normal operation if no buttons are operated for approximately 15 seconds. To cancel and return to normal operation, press and release the power button without entering any pass code characters.

Enter the pass code as described in the User Configuration Pass Code Entry section. The default is 3510, but this is user changeable.

Calibration Mode

The gauge remains in the calibration mode until restarted manually or power is removed. Features not related to calibration are disabled.

The calibration may be performed in any of the available engineering units as well as percent (PCT). Compound range models are set for the same engineering units for pressure and for vacuum.

For greatest calibration accuracy, use the UP and DOWN buttons to select engineering units with highest number of display counts.

Press and release the center power button when the desired engineering units are displayed.

Calibration—continued

Sensor	Suggested units for calibration
3 PSI	3.000 PSI
5 PSI	5.000 PSI
15 PSI	775.7 MMHG (TORR)
30 PSI	69.20 FTH2O
60 PSI	60.00 PSI
100 PSI	7.031 KG/CM2
200 PSI	407.2 INHG
300 PSI	610.8 INHG
500 PSI	500.0 PSI
1000 PSI	70.31 KG/CM2
3000 PSI	6108 INHG
5000 PSI	5000 PSI
Any	100.00 PCT (percent)

The display will then indicate the currently applied pressure in the engineering units selected for calibration.

UP and DOWN Button Operation

Each time one of the up or down buttons is pressed and released quickly, a small change is made to the digitized pressure signal. It may take more than one of these small changes to result in a single digit change on the display.

To make larger changes, press and hold the appropriate up or down button. After about one second, the display will begin to change continuously. Release the button to stop. Then make fine adjustments by pressing and quickly releasing the appropriate button.

Gauge Reference Pressure Gauges

Apply zero pressure by venting the gauge port to atmosphere. The character display will alternate between *ZERO* and *CAL*.

Press the UP and DOWN buttons to obtain a zero indication on the gauge display.

Apply full-scale pressure. The character display will alternate between *+SPAN* and *CAL*.

Press the UP and DOWN buttons to match the gauge display to the full-scale pressure reading on the calibrator.

Apply 50% full-scale pressure. The character display will alternate between *+MID* and *CAL*.

Press the UP and DOWN buttons to match the gauge display to the 50% of full-scale pressure on the calibrator.

Gauge Reference Vacuum Gauges

Apply zero pressure by venting the gauge port to atmosphere. The character display will alternate between *ZERO* and *CAL*.

Press the UP and DOWN buttons to obtain a zero indication on the gauge display.

Apply full-scale vacuum. The character display will alternate between *+SPAN* and *CAL*.

Press the UP and DOWN buttons to match the gauge display to the full-scale vacuum indication on the calibrator.

Apply 50% full-scale vacuum. The character display will alternate between *+MID* and *CAL*.

Press the UP and DOWN buttons to match the gauge display to the 50% of full-scale vacuum indication on the calibrator.

Absolute Reference Gauges

Apply full vacuum. The character display will alternate between *ZERO* and *CAL*.

Press the UP and DOWN buttons until the display indicates zero.

Apply full-scale pressure. The character display will alternate between *+SPAN* and *CAL*.

Press the UP and DOWN buttons to match the gauge display to the full-scale pressure reading on the calibrator.

Apply 50% of full-scale pressure. The lower display will alternate between *+MID* and *CAL*.

Press the UP and DOWN buttons to match the gauge display to the 50% of full-scale reading on the calibrator.

Compound and Bipolar Gauges

In addition to the steps described above for pressure gauges, apply full-scale vacuum. The character display will alternate between *-SPAN* and *CAL*.

Press the UP and DOWN buttons to match the gauge display to the full-scale vacuum reading on the calibrator.

Calibration—continued

For bipolar (\pm) and $-30.00\text{inHg}/+15.00\text{psig}$ compound range models only, apply 50% full-scale vacuum. The character display will alternate between *-MID* and *CAL*.

Press the UP and DOWN buttons to match the gauge display to the 50% of full-scale vacuum on the calibrator.

Save Calibration

Once the adjustments are complete, press and hold the center power button until the display indicates `- - -` then release the button to store the calibration parameters in non-volatile memory and restart the gauge.

Verify the pressure indications at 0%, 25%, 50%, 75% and 100% of full scale.

Move the switch on the circuit board to the DISABLE position.

Replace the back cover, including the rubber gasket.

User Pass Code

User-defined pass code configuration allows changing of the factory 3510 pass code to new value for configuration and calibration.

Configuration must only be done in a non-hazardous area.

Remove the rear 6 Phillips screws and remove the rear cover.

Move the switch on the circuit board to the ENABLE position.

Located the internal UP and DOWN buttons on the circuit board.

View Or Change User Configuration Pass Code

With the unit off, press and hold the UP button, then press the power button. Release all buttons when the display indicates *CFG*.

View Or Change User Calibration Pass Code

With the unit off, press and hold the DOWN button, then press the power button. Release all buttons when *CAL* is shown.

Enter Access Code 1220

Before the unit enters the view or change pass code mode, the display initially indicates `_ _ _ _` with the first underscore blinking, and with *CFGPC* or *CALPC* on the character display.

Note: The gauge will automatically revert to normal operation if no buttons are operated for approximately 15 seconds.

To cancel and return to normal operation, press and release the POWER button without entering any pass code characters.

Use the UP and DOWN, and center buttons to enter the 1220 pass code.

Press and release the power button to proceed.

Note: If an incorrect access code was entered, the gauge will return to the start of the access code entry sequence.

Once the access code has been entered correctly, the display will indicate the existing user-defined pass code with either *CFGPC* or *CALPC* on the character display.

1. Press the UP or DOWN button to select the first character of the new pass code.
2. When the desired first character is displayed, press and release the center power button to move to the next character.
3. Repeat above until the entire pass code is complete.
4. To exit, press and hold the center power button. Release the button when the display indicates `- - -` to restart the gauge.
5. Move the switch on the circuit board to the DISABLE position.
6. Replace the back cover, including the rubber gasket.

Cecomp maintains a constant effort to upgrade and improve its products. Specifications are subject to change without notice. Consult factory for your specific requirements.